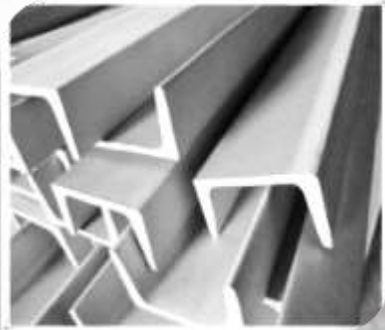
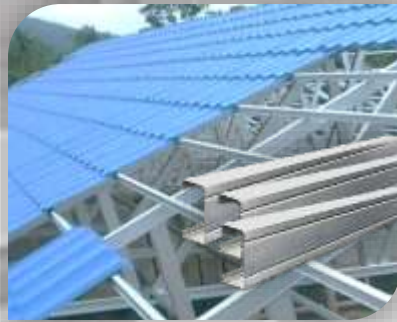
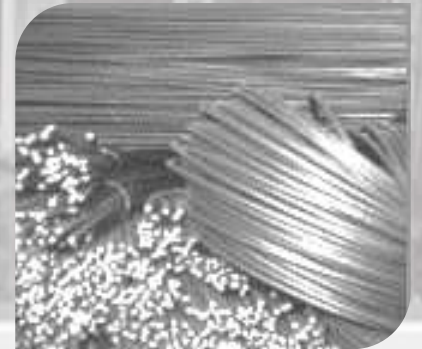




PT. NUSANTARA ELKA SUMBER



<http://www.nessteel.co.id>
sales.nes2021@gmail.com



PRODUK KAMI DIGUNAKAN UNTUK KONTRUKSI BANGUNAN



PRODUK:

BESI BETON POLOS

| DIAMETER | PANJANG | BERAT SNI |
|----------|----------|--------------|
| 6 MM | 12 METER | 2,66 KG/BTG |
| 8 MM | 12 METER | 4,74 KG/BTG |
| 10 MM | 12 METER | 7,40 KG/BTG |
| 12 MM | 12 METER | 10,70 KG/BTG |
| 16 MM | 12 METER | 19 KG BTG |
| 19 MM | 12 METER | 26,80 KG/BTG |
| 22 MM | 12 METER | 35,80 KG/BTG |
| 25 MM | 12 METER | 46,20 KG/BTG |
| 28 MM | 12 METER | 58 KG/BTG |
| 32 MM | 12 METER | 75,76 KG/BTG |



BESI BETON ULIR

| DIAMETER | PANJANG | BERAT SNI |
|----------|----------|--------------|
| 10 MM | 12 METER | 7,40 KG/BTG |
| 13 MM | 12 METER | 12,50 KG/BTG |
| 16 MM | 12 METER | 19 KG/BTG |
| 19 MM | 12 METER | 26,80 KG/BTG |
| 22 MM | 12 METER | 35,80 KG BTG |
| 25 MM | 12 METER | 46,20 KG/BTG |
| 29 MM | 12 METER | 62,22 KG/BTG |
| 32 MM | 12 METER | 75,76 KG/BTG |



WIREMESH

| DIAMETER | P X L | JARING/KOTAK |
|----------|-----------------|--------------|
| 5 MM | 2,1 X 5,4 METER | 15 X 15 CM |
| 6 MM | 2,1 X 5,4 METER | 15 X 15 CM |
| 7 MM | 2,1 X 5,4 METER | 15 X 15 CM |
| 8 MM | 2,1 X 5,4 METER | 15 X 15 CM |
| 9 MM | 2,1 X 5,4 METER | 15 X 15 CM |
| 10 MM | 2,1 X 5,4 METER | 15 X 15 CM |



KAWAT BETON

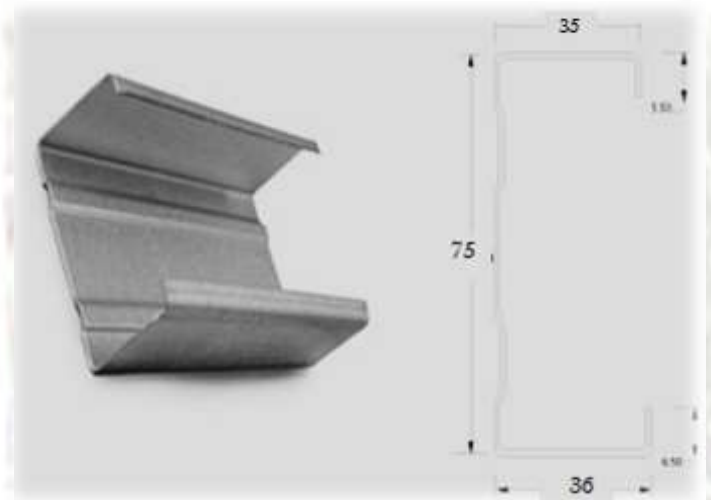
- Ukuran 20 Kg BWG 21
- Ukuran 25 Kg BWG 21

PAKU

- Ukuran 1 1/2"
- Ukuran 2 "
- Ukuran 2. 1/2 "
- Ukuran 3 "
- Ukuran 3 1/2"
- Ukuran 4"
- Ukuran 5"

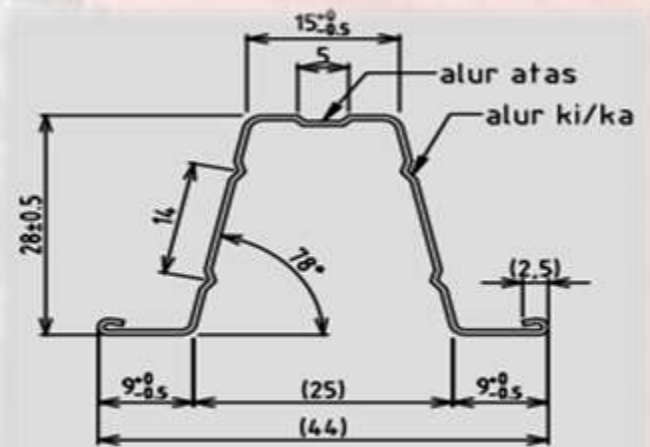
BAJA RINGAN

- TEBAL 0,75 MM ; PANJANG 6 METER
- TEBAL 0.70 MM ; PANJANG 6 METER
- TEBAL 0.65 MM ; PANJANG 6 METER
- TEBAL 0.60 MM ; PANJANG 6 METER
- TEBAL 0.55 MM ; PANJANG 6 METER
- TEBAL 0.50 MM ; PANJANG 6 METER



RENG

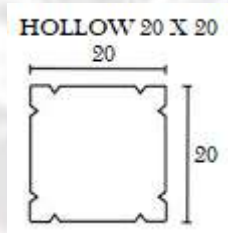
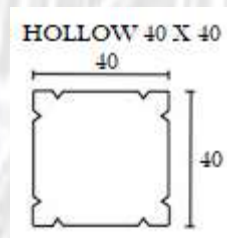
- RENG R35 TEBAL 0.35 MM



Mat'1 : 93 [mm]
Coil : 1219 (1219 : 93 = 13 Slitting)
size coil : 10 mm

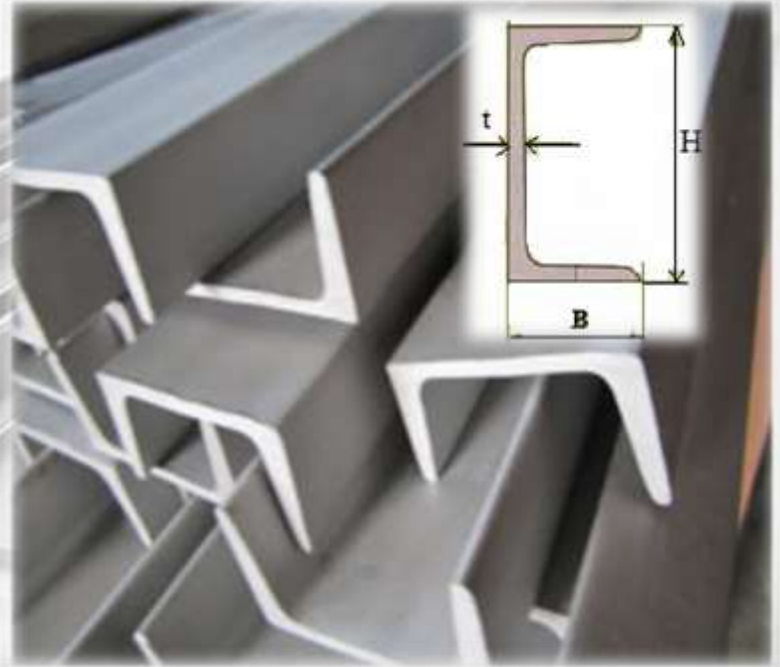
HOLLOW GALVANIZE

- UKURAN 40 X 40 MM PANJANG 4 METER
- UKURAN 20 X 20 MM PANIANG 4 METER



UNP

| UKURAN | H X B | T |
|--------|----------|--------|
| U 50 | 50 X 38 | 5 MM |
| U 65 | 65 X 42 | 5,5 MM |
| U 75 | 75 X 40 | 6 MM |
| U 80 | 80 X 45 | 6 MM |
| U 100 | 100 X 50 | 5 MM |
| U 120 | 120 X 55 | 7 MM |
| U 125 | 125 X 65 | 6 MM |
| U 140 | 140 X 60 | 7 MM |
| U 150 | 150 X 75 | 6,5 MM |
| U 150 | 150 X 75 | 9 MM |
| U 180 | 180 X 75 | 7 MM |
| U 200 | 200 X 80 | 7,5 MM |
| U 200 | 200 X 90 | 8 MM |



PIPA HITAM MEDIUM SNI

| | DIAMETER | TEBAL | PANJANG |
|------|----------|---------|---------|
| ¼" | 8 MM | 2,30 MM | 6 METER |
| ¾" | 10 MM | 2,30 MM | 6 METER |
| ½" | 15 MM | 2,77 MM | 6 METER |
| ¾" | 20 MM | 2,87 MM | 6 METER |
| 1" | 25 MM | 3,38 MM | 6 METER |
| 1 ¼" | 32 MM | 3,56 MM | 6 METER |
| 1 ½" | 40 MM | 3,68 MM | 6 METER |
| 2" | 50 MM | 3,91 MM | 6 METER |
| 2 ½" | 65 MM | 5,16 MM | 6 METER |
| 3" | 80 MM | 5,49 MM | 6 METER |
| 3 ½" | 90 MM | 5,74 MM | 6 METER |
| 4" | 100 MM | 6,02 MM | 6 METER |
| 5" | 125 MM | 6,50 MM | 6 METER |
| 6" | 150 MM | 7,11 MM | 6 METER |
| 7" | 175 MM | 6,50 MM | 6 METER |
| 8" | 200 MM | 8,18 MM | 6 METER |



PIPA AIR MEDIUM SNI

| DIAMETER | | TEBAL | PANJANG |
|----------|--------|---------|---------|
| ¼" | 8 MM | 2,30 MM | 6 METER |
| ¾" | 10 MM | 2,30 MM | 6 METER |
| ½" | 15 MM | 2,77 MM | 6 METER |
| ¾" | 20 MM | 2,87 MM | 6 METER |
| 1" | 25 MM | 3,38 MM | 6 METER |
| 1 ¼" | 32 MM | 3,56 MM | 6 METER |
| 1 ½" | 40 MM | 3,68 MM | 6 METER |
| 2" | 50 MM | 3,91 MM | 6 METER |
| 2 ½" | 65 MM | 5,16 MM | 6 METER |
| 3" | 80 MM | 5,49 MM | 6 METER |
| 3 ½" | 90 MM | 5,74 MM | 6 METER |
| 4" | 100 MM | 6,02 MM | 6 METER |
| 5" | 125 MM | 6,50 MM | 6 METER |
| 6" | 150 MM | 7,11 MM | 6 METER |
| 7" | 175 MM | 6,50 MM | 6 METER |
| 8" | 200 MM | 8,18 MM | 6 METER |

